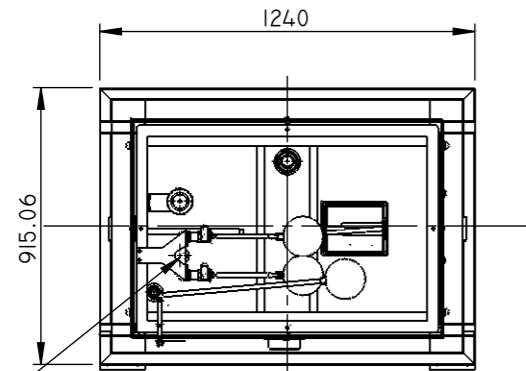
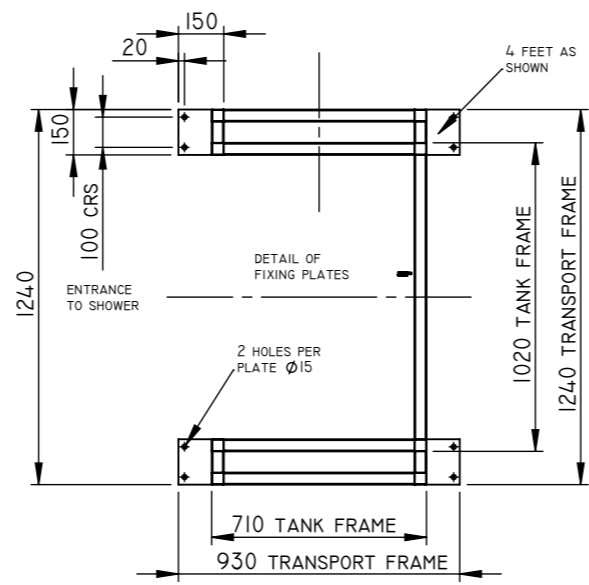


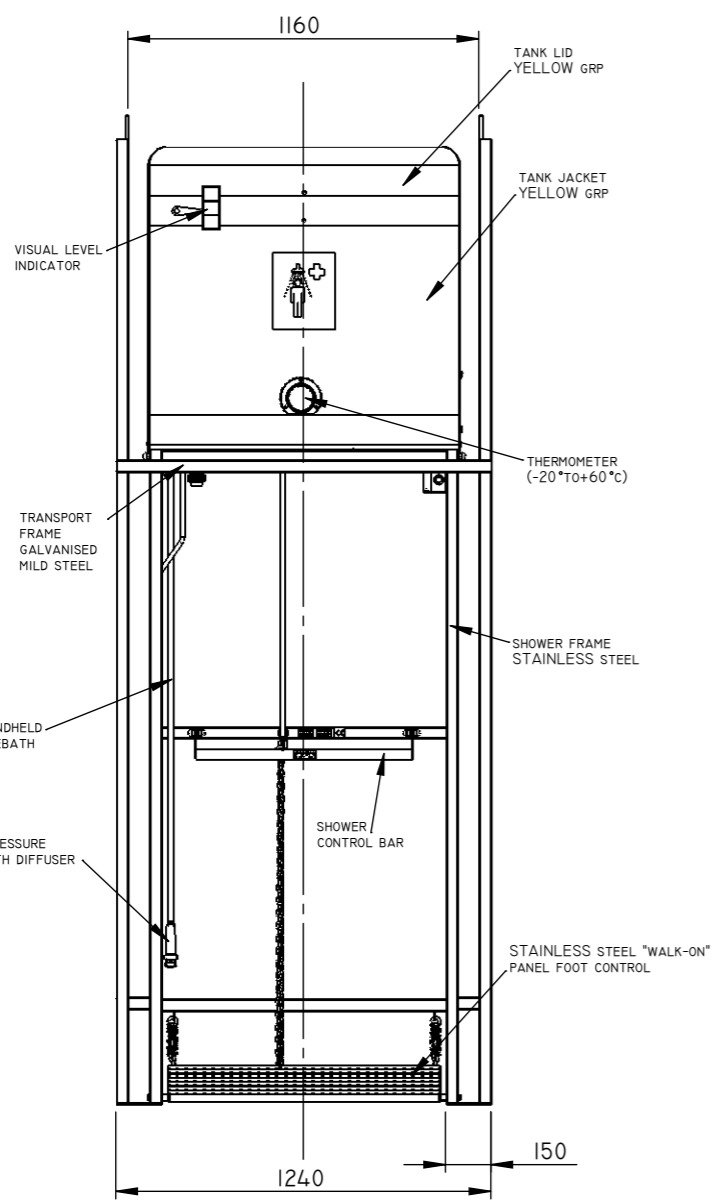
DIMENSIONS IN MILLIMETRES PROJECTION



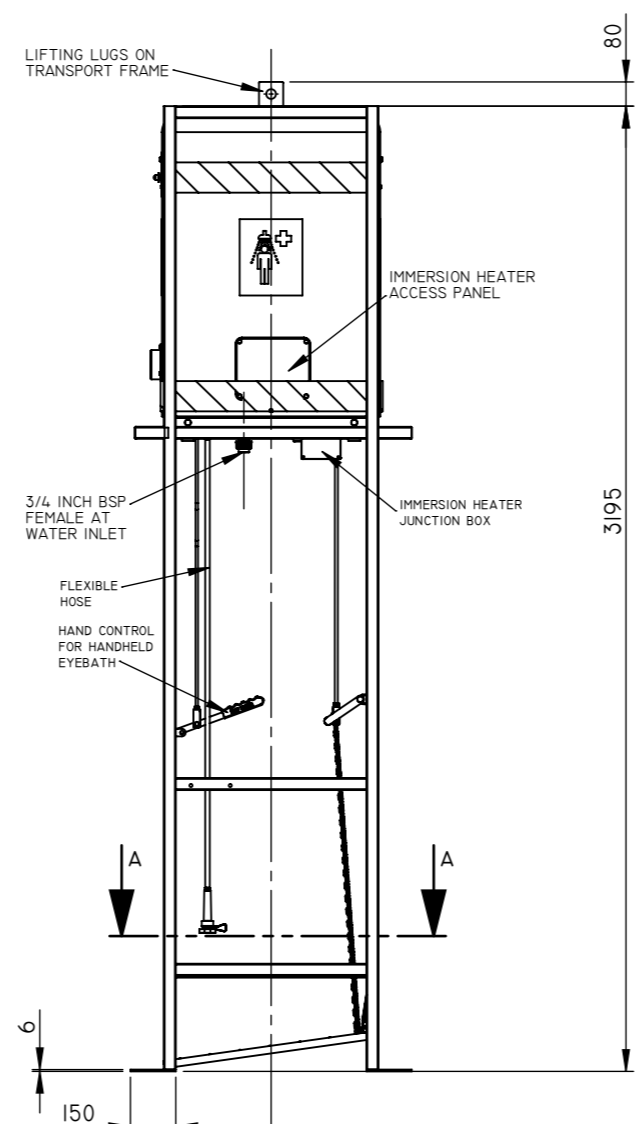
PLAN VIEW
SHOWING SUPPORT FRAME
DETAILS



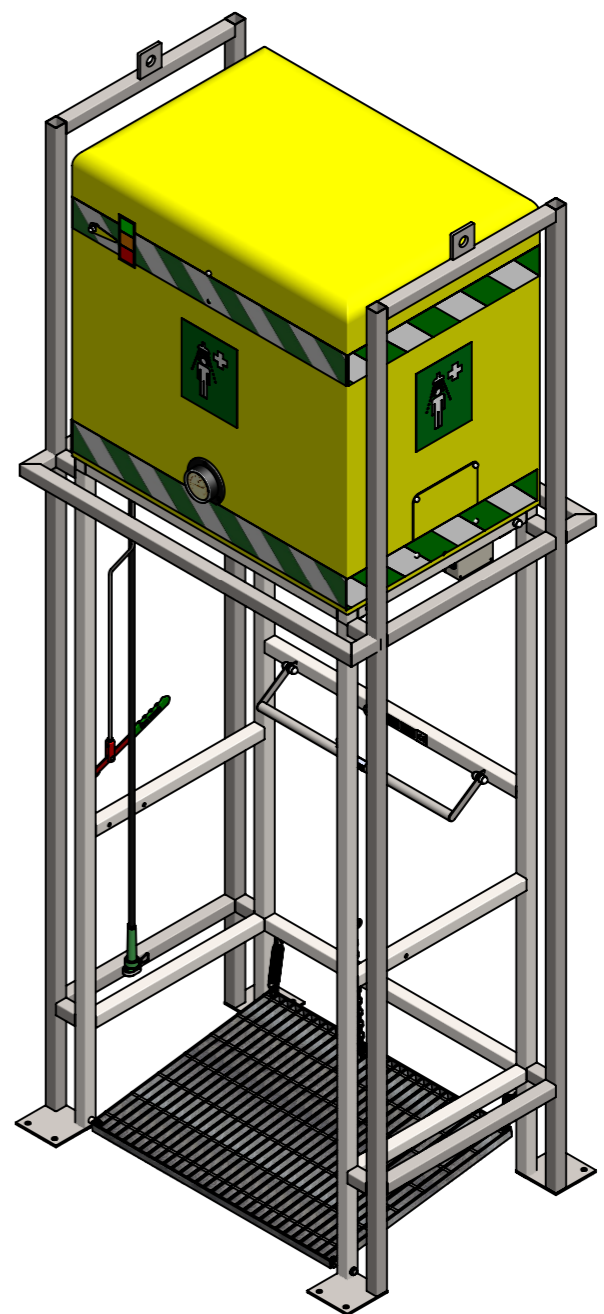
SECTION A-A



FRONT VIEW



SIDE VIEW



ISOMETERIC VIEW
WITH TRANSPORT FRAME ATTACHED

NOTE:
350 LITRE CAPACITY TANK IN MEDIUM DENSITY POLYETHYLENE.
ALL TUBING IN UPVC.
SUPPORT FRAME, LEGS & TARNSPORT FRAME MANUFACTURED FROM STAINLESS STEEL HOLLOW SECTION
TANK FRAME & LEGS FULLY ASSEMBLED WITH TRANSPORT FRAME.
TANK JACKET & TANK LID IN YELLOW GRP.
ELICTRIC SUPPLY 240 VOLTS, SINGLE PHASE, 50/60HZ.
SUITABLE FOR ZONE 1 & 2 AREAS, GAS GROUPS II A & II B.
(SPECIAL - THERMOSTAT FACTORY SET @ 22°C).

**EMERGENCY SAFETY SHOWER WITH HEATED & FROST
PROTECTED STORAGE TANK C/W TRANSPORT FRAME**

HUGHES
HUGHES-SAFETY-SHOWERS.CO.UK
Whitefield Road, Bredbury
Stockport, Cheshire, SK6 2SS
T: +44(0)161-430-6618 F: +44(0)161-430-7928
E: info@hughes-safety-showers.co.uk

NAME	DATE	DEBUR AND BREAK SHARP EDGES
DRAWN: PBG	02/07/2013	DIMENSIONS ARE IN MILLIMETRES UNLESS SPECIFIED OTHERWISE
CHECKED: PBG	02/07/2013	TOLERANCES: LINEAR: ANGULAR:
APPROVED: AL	02/07/2013	
MATERIAL: STAINLESS STEEL		

SCALE:1:25
DO NOT SCALE OFF DRAWING

TITLE: EXP-MH-14KS/350 (SPECIAL) WITH TRANSPORT FRAME	REVISION A
FINISH:	DWG NO. FS50052
SHEET 1 OF 1	A3