

Product Datasheet

STD-58G

Emergency Eye/Face Wash - *Self Contained*

Portable eye/face wash unit incorporating a stainless steel cylinder is capable of washing eyes and face simultaneously for up to 15 minutes. Featuring dust covers and push lever operation for ease of use. For decontamination of body parts subjected to minor contamination, an optional Optiflex eye, face and body shower can be fitted.



Specifications

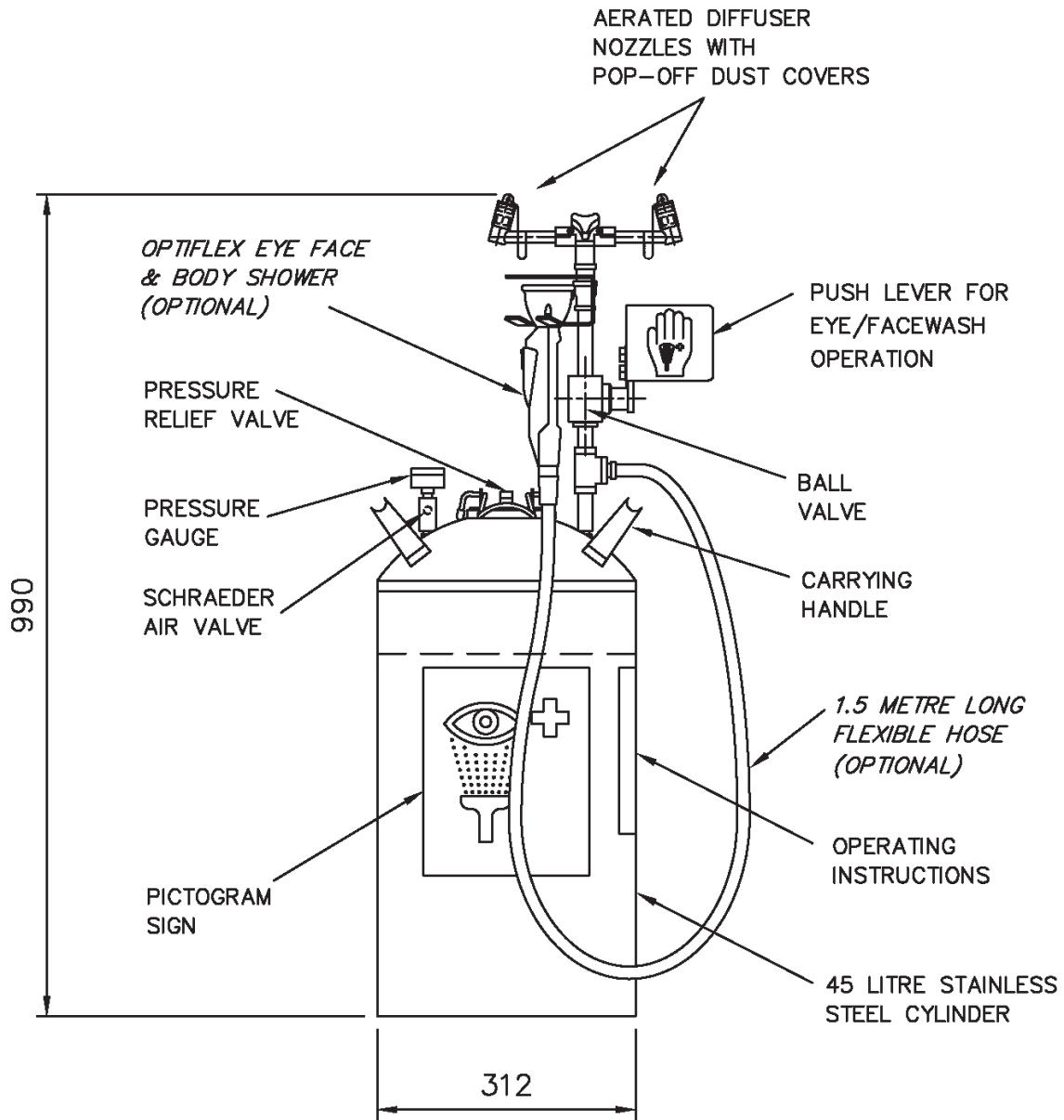
BODY	
MATERIAL	Stainless steel cylinder
CAPACITY	28 litres (7.4 US gallons)
SERVICES	
OPERATING PRESSURE	6.9 BAR G (100 PSI)
TEST PRESSURE	13.8 BAR G (200 PSI)
BURST PRESSURE	69 BAR G (1000 PSI)
FLOW RATE	1.5 litres per minute (0.4 gpm)
ENVIRONMENTAL OPERATING TEMPERATURE	
MINIMUM AMBIENT OPERATING TEMPERATURE	5° C (41° F)
MAXIMUM AMBIENT OPERATING TEMPERATURE	35° C (95° F)
ACTIVATION/OPERATION	
ACTIVATION	Push plate operated
WEIGHTS and DIMENSIONS	
DIMENSIONS (WxDxH)	375mm (14.8in) x 312mm (12.3in) x 990mm (39in)
WEIGHT	38kg (84lbs) full, 10kg (22lbs) empty

View our Guide to the ANSI/ISEA Z358.1-2014 International Standard for Emergency Eyewash and Shower Equipment at www.hughes-safety.com



STD-58G

Emergency Eye/Face Wash - Self Contained



HUGHES



HUGHES-SAFETY.COM

a Justrite® Group Company

Hughes Safety Showers Ltd, Whitefield Road, Bredbury, Stockport SK6 2SS UK.

Email: info@hughes-safety.com

Tel: +44 (0)161 430 6618

Registered No. 0939240. VAT Registration No. 918 5005 32. Hughes Safety Showers Ltd is a Justrite Group Company.