

Product Datasheet

STD-25K STD-25KS Emergency Eye/Face Wash - *Plumbed in*



Wall-mounted emergency eye/face wash with integral lid to protect the bowl and diffusers against dust and debris. Model incorporates an additional handheld eyebath diffuser on flexible hose. This ANSI compliant, plumbed in eye/face wash is designed to be quick and simple to operate with high flow rate aerated diffusers for improved washing. Available with either galvanised mild steel or 316L stainless steel pipework.

Specifications

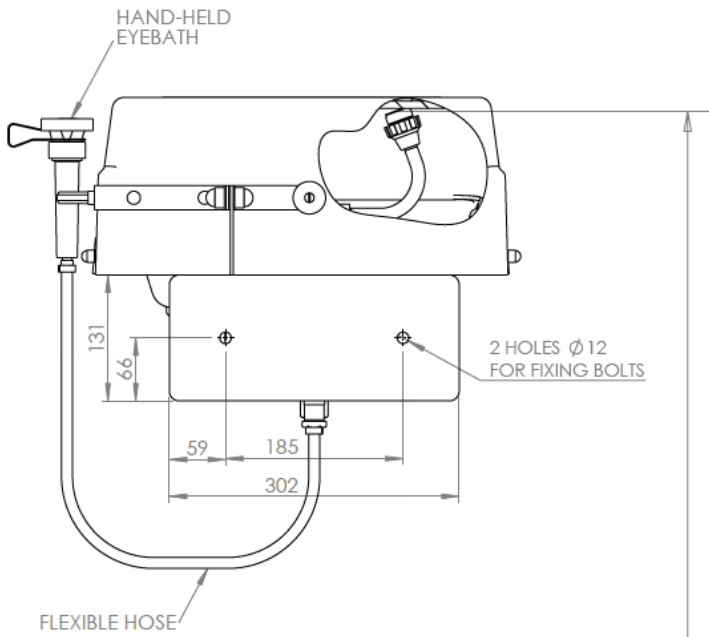
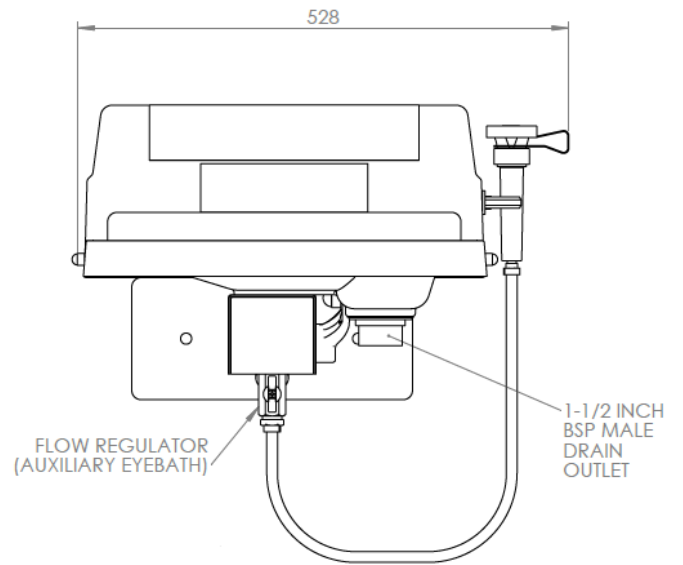
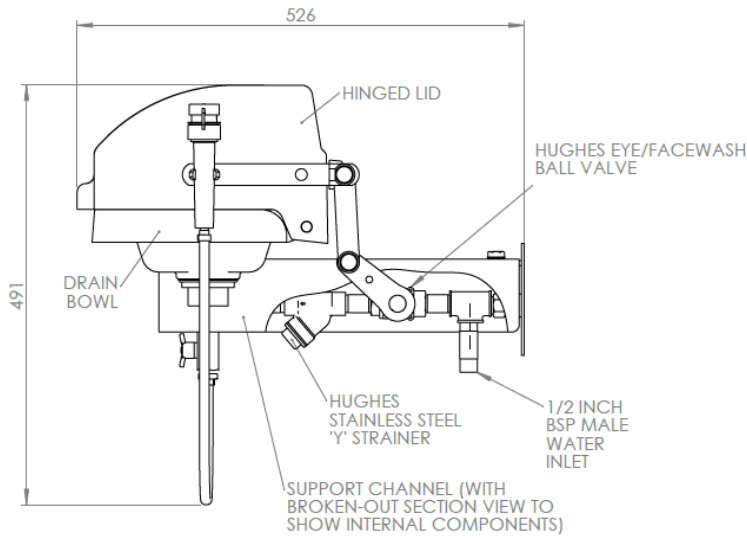
MATERIALS OF CONSTRUCTION	
EYE/FACE WASH BOWL/LID	Acrylic Capped ABS
SERVICES	
WATER INLET	1/2" Male BSP
DESIGN OPERATING PRESSURE	2.2 to 6 BAR G (32 to 87 PSI) (higher supply pressures accommodated with the incorporation of the optional pressure reducing valve)
TEST PRESSURE	10.3 BAR G (149 PSI)
MINIMUM FLOW RATES	Eye/Face Wash: 12 litres/minute minimum (3 US Gallons) Eyebath (handheld): 1.5 litres/minute (0.4 US Gallons)
ENVIRONMENTAL OPERATING TEMPERATURE	
MINIMUM AMBIENT OPERATING TEMPERATURE	5° C (41° F)
MAXIMUM AMBIENT OPERATING TEMPERATURE	35° C (95° F)
ACTIVATION/OPERATION	
EYE/FACE WASH	Lift lid to operate (optional foot treadle control for hands free operation)
WEIGHTS and DIMENSIONS	
DIMENSIONS (WxDxH)	475mm (18.7in) x 390mm (15.4in) x 565mm (22.2in)
WEIGHT	13kg (29lb)

View our Guide to the ANSI/ISEA Z358.1-2014 International Standard for Emergency Eyewash and Shower Equipment at www.hughes-safety.com



STD-25K
STD-25KS

Emergency Eye/Face Wash - Plumbed in



ANSI Z358.1 TOP OF EYE/FACEWASH WASH NOZZLES
83.8CM (33 INCHES) TO 114.3CM (45 INCHES)
FROM STANDING SURFACE

HUGHES



HUGHES-SAFETY.COM

a Justrite® Group Company

Hughes Safety Showers Ltd, Whitefield Road, Bredbury, Stockport SK6 2SS UK.

Email: info@hughes-safety.com

Tel: +44 (0)161 430 6618

Registered No. 0939240. VAT Registration No. 918 5005 32. Hughes Safety Showers Ltd is a Justrite Group Company.

V1.1