

Product Datasheet

EXP-SD-85G/P EXP-SD-85GS/P Emergency Eye/Face Wash - *Plumbed in*



Self-draining emergency safety shower with open 316L stainless steel eye/face wash, suitable for hot climates. The design allows standing water to drain away from the standpipe to prevent water being heated in the standpipe. The valve is situated directly above the water inlet; the bleed pipe is fitted above this so standing water can drain into the ground preventing stagnant water overheating from solar radiation and removing the risk of further injury to the operator.

Available with galvanised mild steel or 316L stainless steel pipework.

Specifications

MATERIALS OF CONSTRUCTION

PIPEWORK AND FITTINGS (G)	Galvanised mild steel with 150lb medium wall tubulars and fittings
PIPEWORK AND FITTINGS (GS)	316L stainless steel with 150lb medium wall tubulars and fittings
EYE/FACE WASH BOWL/LID	316L stainless steel
EYE/FACE WASH DIFFUSERS	Chrome plated brass with stainless steel mesh
STANDARD FINISH (Galvanised mild steel)	Green powder coated (alternative colours available)
STANDARD FINISH (Stainless steel)	Polished brush finish (paint options available)

SERVICES

WATER INLET	1 ¹ / ₄ " Female BSP
DESIGN OPERATING PRESSURE	2.0 to 6 BAR G (29 to 87 PSI) (higher supply pressures accommodated with the incorporation of the optional pressure reducing valve)
TEST PRESSURE	10.3 BAR G (149 PSI)
MINIMUM FLOW RATES	12 litres/minute minimum (3 US Gallons)

ENVIRONMENTAL OPERATING TEMPERATURE

MINIMUM AMBIENT OPERATING TEMPERATURE	5° C (41° F)
MAXIMUM AMBIENT OPERATING TEMPERATURE	35° C (95° F)

ACTIVATION/OPERATION

EYE/FACE WASH OPERATION	Push plate operated (optional foot treadle control for hands free operation)
-------------------------	--

WEIGHTS and DIMENSIONS

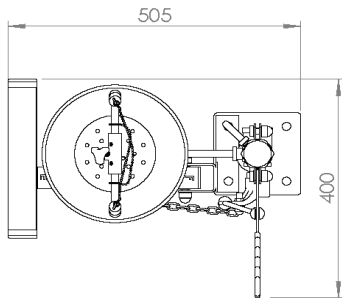
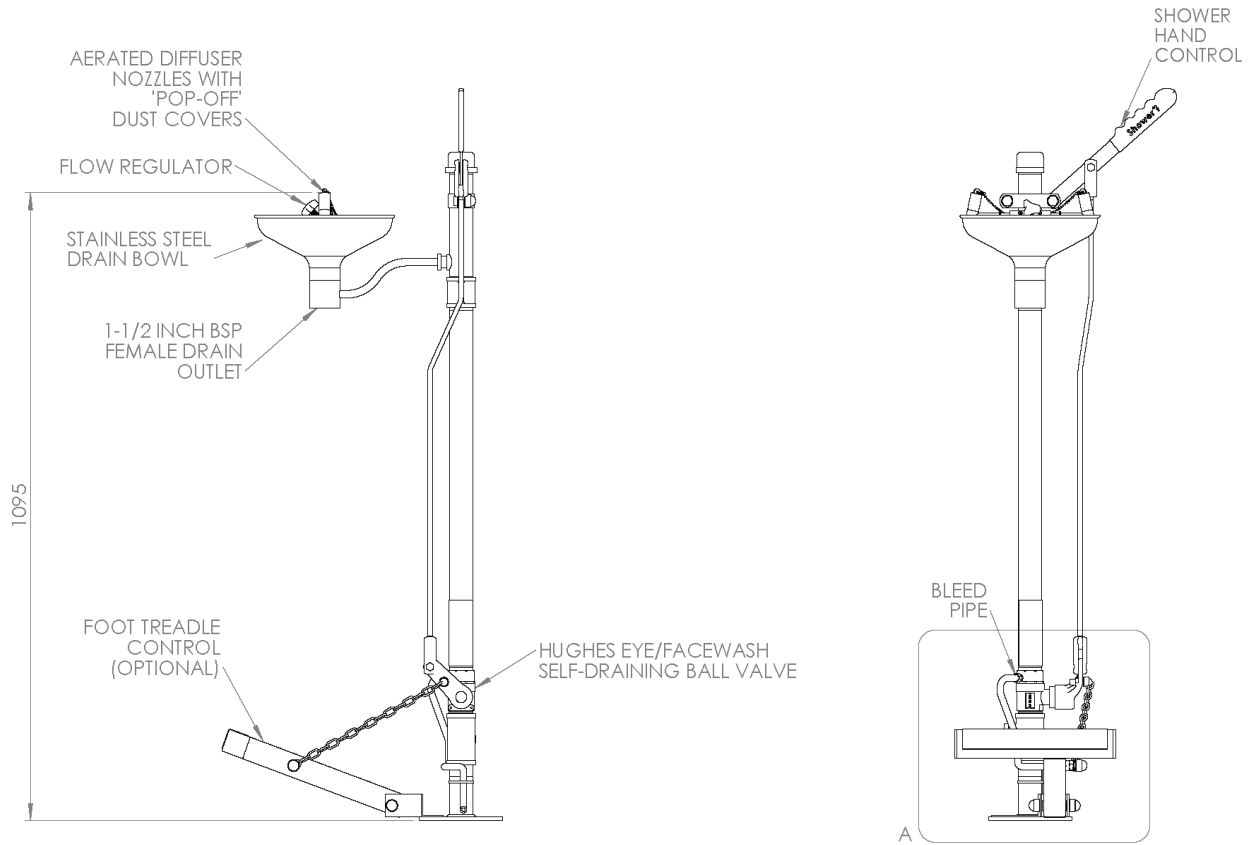
DIMENSIONS (WxDxH)	400mm (15.7in) x 505mm (19.9in) x 1273mm (50.1in)
WEIGHT	10kg (22lb)

View our Guide to the ANSI/ISEA Z358.1-2014 International Standard for Emergency Eyewash and Shower Equipment at www.hughes-safety.com

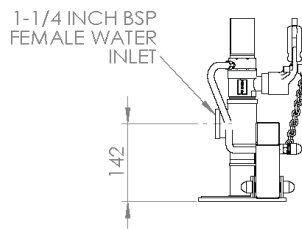


EXP-SD-85G/P
EXP-SD-85GS/P

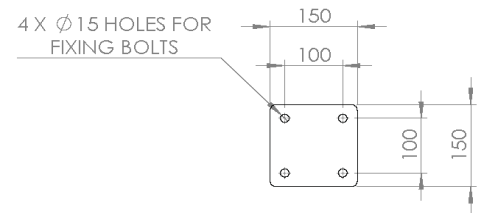
Emergency Eye/Face Wash - Plumbed in



PLAN VIEW



DETAIL A
 CUT BACK FOR CLARITY



FIXING DETAIL

HUGHES



HUGHES-SAFETY.COM

a Justrite® Group Company

Hughes Safety Showers Ltd, Whitefield Road, Bredbury, Stockport SK6 2SS UK.

Email: info@hughes-safety.com

Tel: +44 (0)161 430 6618

Registered No. 0939240. VAT Registration No. 918 5005 32. Hughes Safety Showers Ltd is a Justrite Group Company.