

Product Datasheet

DEC-DS-6-M PPE Decontamination Damping Shower

Walk-through decontamination cubicle designed specifically for environments where there is a potential risk of contamination of protective clothing by airborne particles. The ten water nozzles ensure 360° coverage of a fine water mist to thoroughly dampen protective clothing prior to removal.

Available with optional GRP drain sump to collect surplus water



Specifications

MATERIALS OF CONSTRUCTION

PIPEWORK AND FITTINGS	Stainless steel and plastic
OPERATING VALVES	Stainless steel
SHOWER SPRAY OUTLET	Brass fine water mist nozzles
PANELLING	White heavy duty GRP

SERVICES

WATER INLET	1/2" Male BSP
OPERATING PRESSURE	2.8 to 6 bar (40 to 87 PSI) (higher supply pressures accommodated with the incorporation of the optional pressure reducing valve)
TEST PRESSURE	10.3 BAR G (149 PSI)
MINIMUM FLOW RATES	8 litres/minute minimum (2.1 US gallons)

ENVIRONMENTAL OPERATING TEMPERATURE

MINIMUM AMBIENT OPERATING TEMPERATURE	5° C (41° F)
MAXIMUM AMBIENT OPERATING TEMPERATURE	35° C (95° F)

OPERATIONAL

SHOWER SPRAY NOZZLES	Hand activated (optional automatic operation)
----------------------	---

WEIGHTS AND DIMENSIONS

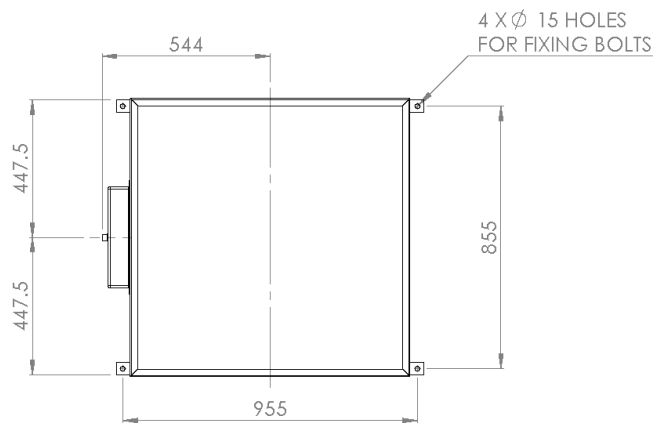
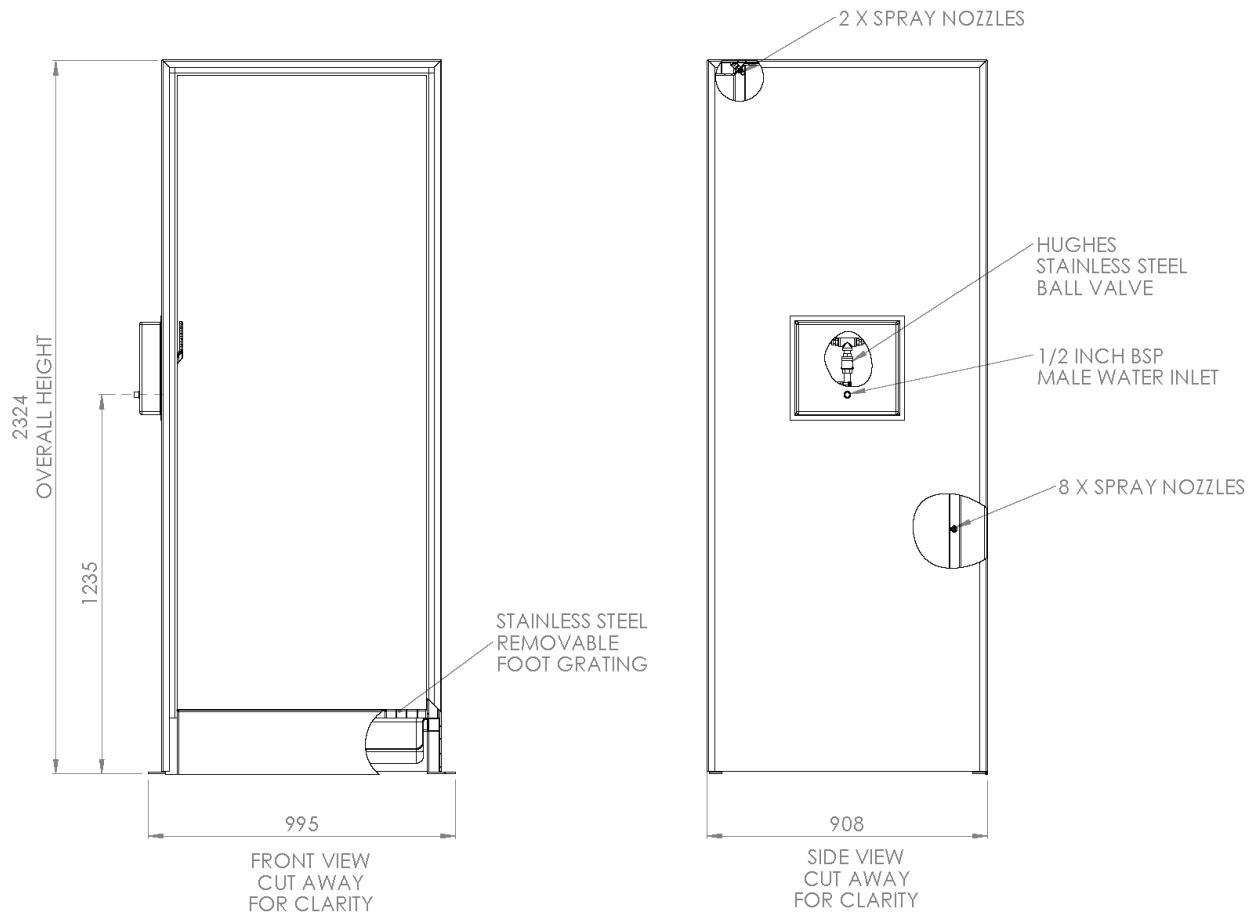
DIMENSIONS (WxDxH)	1110mm (43.7in) x 1300mm (51.2in) x 2400mm (94.5in)
WEIGHTS (NO OPTIONS)	80kg (176.4 litres)

View our Guide to the ANSI/ISEA Z358.1-2014 International Standard for Emergency Eyewash and Shower Equipment at www.hughes-safety.com



DEC-DS-6-M

PPE Decontamination Damping Shower



HUGHES



HUGHES-SAFETY.COM

a Justrite® Group Company

Hughes Safety Showers Ltd, Whitefield Road, Bredbury, Stockport SK6 2SS UK.

Email: info@hughes-safety.com

Tel: +44 (0)161 430 6618

Registered No. 0939240. VAT Registration No. 918 5005 32. Hughes Safety Showers Ltd is a Justrite Group Company.

V1.1